



The IP66-rated **QoraLux Flex Strip Horizontal** offers 504 LEDs delivering impressive lighting effects with RGB color mixing and tunable white options. Available in 19 ft, 10.5 in reels with a flexible and durable silicone casing, this strip's left-right curve angle allows for easy concave and convex applications.

KEY BENEFITS

- Simplified installation with Class 2 wiring low-voltage wiring, flexible silicone casing, and horizontal curve angle
- Create pristine illumination with RGB color mixing and 3000 K tunable white
- IP66-rated and suitable for interior or exterior installations
- Included mounting clips and screws provide clean and seamless mounting
- Easily cut or link strips to achieve the desired length for each project
- Compounded energy-efficient savings with low-voltage power distribution
- Reduced failure rate with driverless fixtures
- Compatible with all QoraLux drivers
- 19 ft 10.5 in with 94 W max power

SPECIFICATIONS

Control, Monitoring, and Network	
Control	DMX 512 (when using QoraLux driver)
DMX modes	4 channel mode: R, G, B, TW 7 channel mode: Dimmer, R, G, B, TW, strobe, macro
Lighting	
Color temperature	Tunable white, 3000 K
CRI (tunable white)	80
Curving type	Left and right curve when light output is facing up
Each LED wattage	0.19 W

Lighting

LED quantity	504
LED spacing	0.46 in
LED type	SMD 5050 R, G, B, TW

Electrical

Connection	5 conductor cable
Drive method	Constant voltage
Power input	24 VDC
Total max power	94 W

Mechanical/Environmental

Cuttable	Every 2.81 in, mark located on the bottom
Dimensions	19 ft 10.5 in x 17 mm x 28 mm (HxWxD)
Fastening system	Mounting clips, included
Housing	Silicone type material, 3 type
Housing type	Mushroom top
IP rating	IP66
Length	19 ft 10.5 in, cable included
Operating temperature	-22 to 122 °F (-30 to 50 °C)
Weight	4.2 lb

Included Accessories

Mounting clips (6)

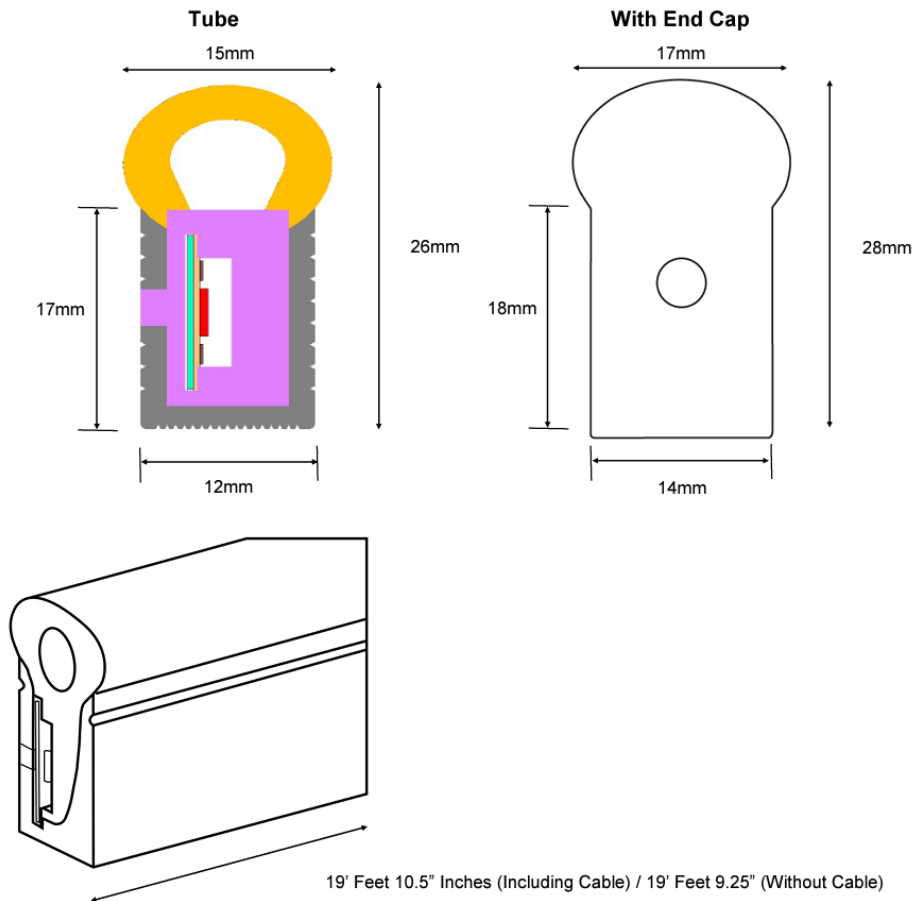
Optional Accessories

1M Flex Strip Horizontal Extrusion	QHF-ACC-EXT
5M Flex Strip Horizontal Flexible Mounting Channel	QHF-ACC-FLE
Flex Strip Horizontal End Cap	QHF-ACC-CAP

Optional Accessories	
Flex Strip Horizontal End Cap with Cable Hole	QHF-ACC-CAP-C
Flex Strip Horizontal Left-Angle Cap	QHF-ACC-CAP-L
Flex Strip Horizontal Right-Angle Cap	QHF-ACC-CAP-R
Flex Strip Horizontal Single Point Mounting Clip	QHF-ACC-SIN

Compatible Products*	
Single Output Driver	QD1-96-01
Triple Output DIN Driver	QD3-288-01
Quad Output Driver	QD4-384-01

*Visit the [SAVI store](#) to view all of SAVI's branded products.



CONNECTIONS EXAMPLE

