



The IP64-rated **QoraLux Sconce 4"** offers double-sided projection allowing for color-changing ambient and directional lighting. Whether mounted vertically or horizontally, Sconce 4" adds a touch of elegance and versatility to any space, including hotels, restaurants, or offices.

KEY BENEFITS

- Simplified installation with Class 2 low-voltage wiring
- Versatile up and down lighting for a wide range of indoor or outdoor applications
- Create ambient or directional lighting with RGB color mixing and 3267 K tunable white
- Compounded energy-efficient savings with low-voltage power distribution
- Reduced failure rate with driverless fixtures
- Compatible with all QoraLux drivers
- 4.72 in with 20 W max power

SPECIFICATIONS

Control, Monitoring, and Network	
Control	DMX 512 (when using QoraLux driver)
DMX modes	4 channel mode: R, G, B, TW 7 channel mode: Dimmer, R, G, B, TW, strobe, macro

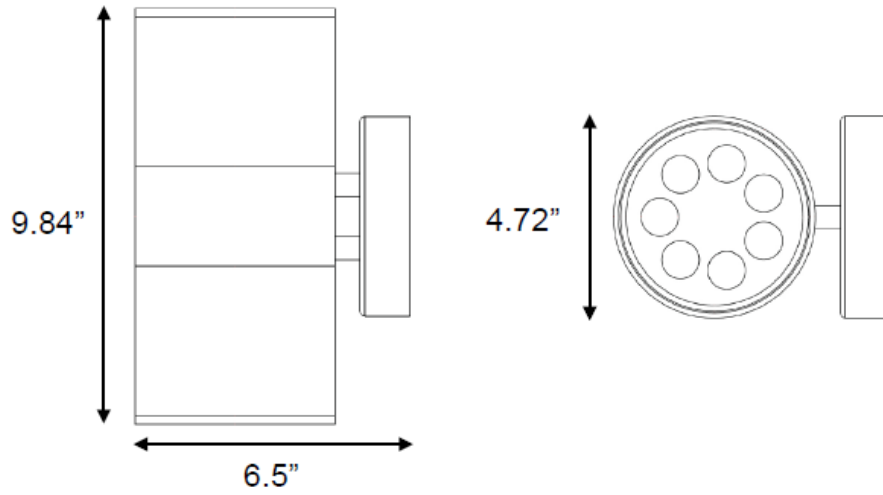
Lighting	
Color temperature	Tunable white, 3267 K
CRI (tunable white)	84.3
Each LED wattage	1.4 W
LED quantity	14, 7 on each side
LED type	SMD 5050 R, G, B, TW
Lens angle	27°
Lumen	363 @ full, per side

Electrical	
Connection	RJ45 in and out
Drive method	Constant voltage
Power input	24 VDC
Total max power	20 W

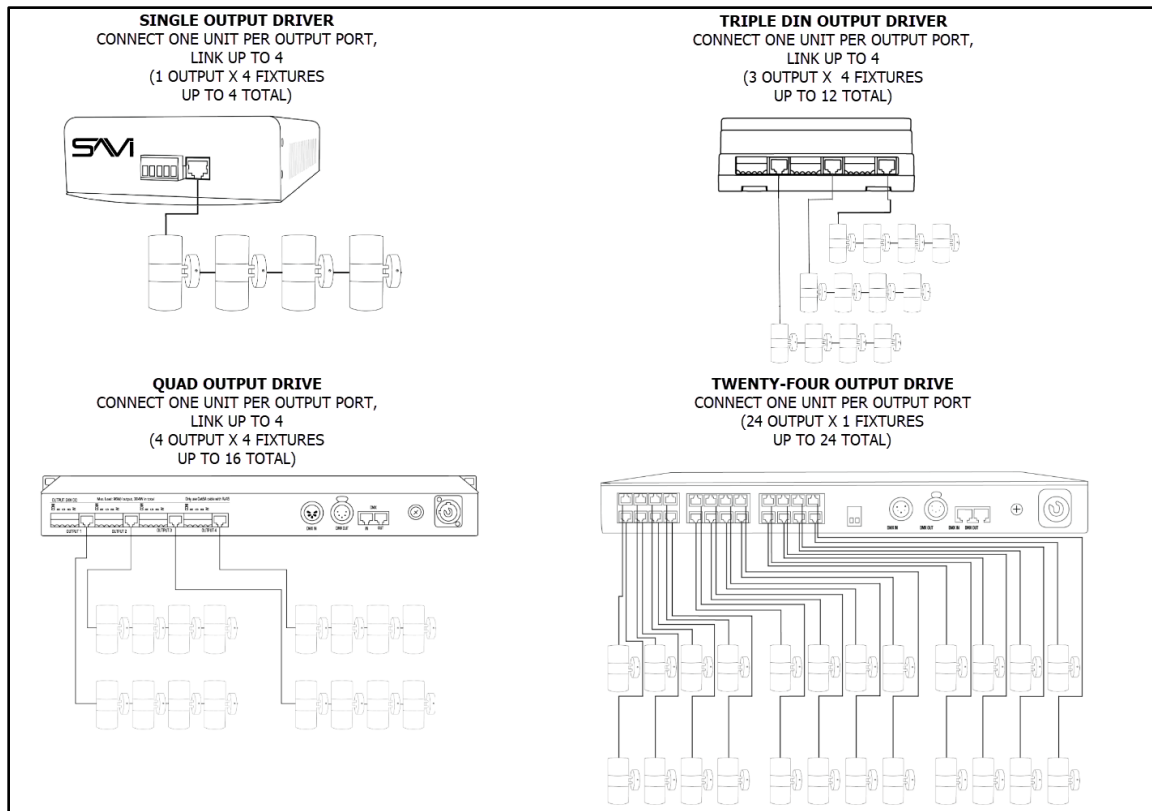
Mechanical/Environmental	
Cable length	1 ft
Dimensions	6.5 in x 4.72 in x 9.84 in (HxWxD)
Fastening system	Mounting bracket
Housing	Extruded aluminum
IP rating	IP64
Operating temperature	-22 to 122 °F (-30 to 50 °C)
Weight	3.6 lb

Compatible Products*	
Single Output Driver	QD1-96-01
Triple Output DIN Driver	QD3-288-01
Twenty-Four Output Driver	QD24-480-01
Quad Output Driver	QD4-384-01

*Visit the [SAVI store](#) to view all of SAVI's branded products.



CONNECTIONS EXAMPLE



PHOTOMETRICS

