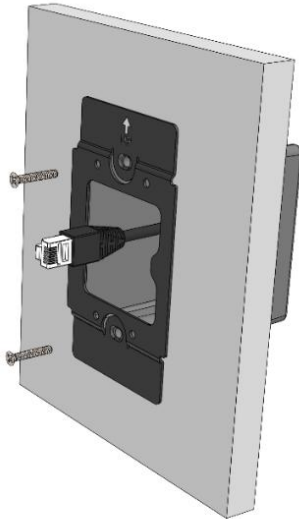


Security Bracket Kit

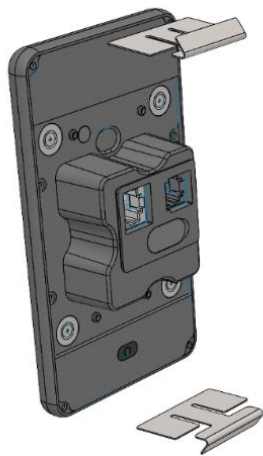
Install your Security Bracket Kit with this step-by-step quick guide.

1. Installation

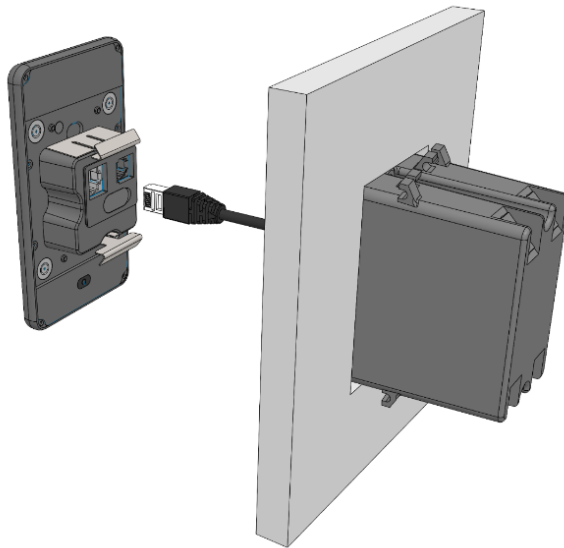
- a. Attach the bracket with provided screws.



- b. Attach metal brackets to the TOUCHPAD.One.



- c. Plug the Ethernet cable into the TOUCHPAD.One.



- d. Push the TOUCHPAD.One into the mounted bracket until tabs click.

Note: The bracket is magnetized and should hold the TOUCHPAD.One flush to the wall.

